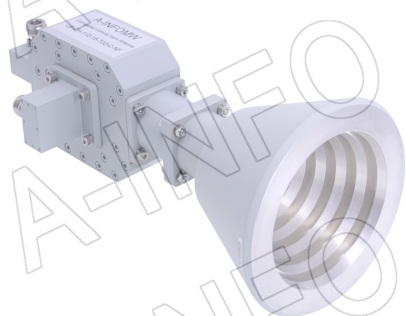


For reference only. See data sheet for the detailed specifications.

Technical Specification

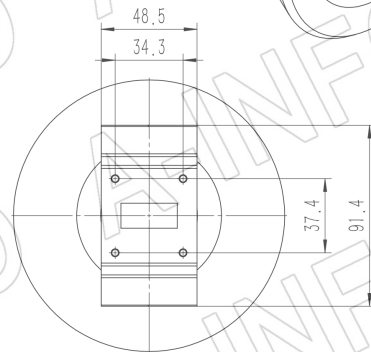
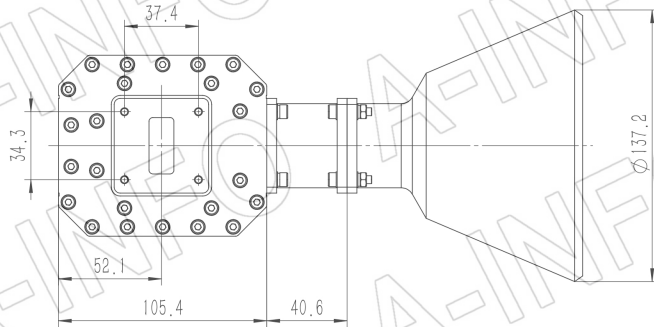
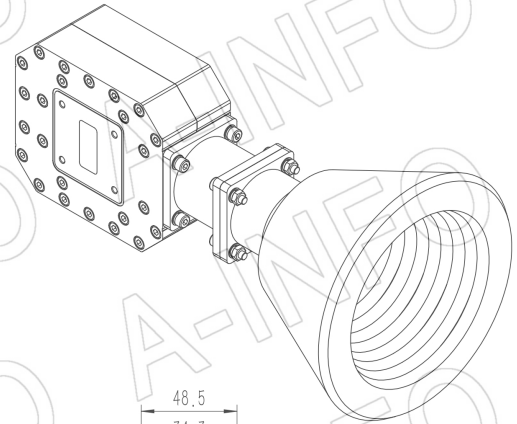
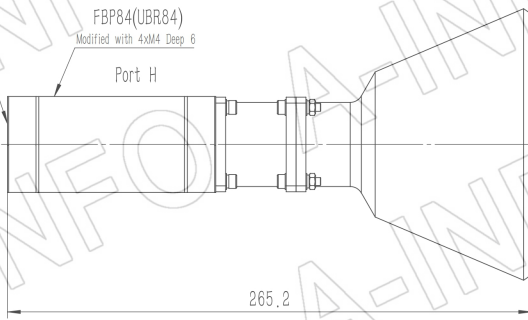


Frequency Range(GHz)	7.05 – 10.0
Waveguide	WR112
Gain(dBi)	15 Typ.
Polarization	Dual Linear
3dB Beamwidth(deg)	E Plane: 27 Typ.
	H Plane: 27 Typ.
Cross Pol. Isolation(dB)	45 Typ.
Port to Port Isolation(dB)	55 Typ. ; 45 Min.
VSWR	A Type: 1.50:1 Typ.
	C Type: 1.60:1 Typ.
Output	A Type: FBP84(UBR84) (Modified with 4xM4 D6)
	C Type: N-Female or SMA-Female or TNC-Female or 7mm or 3.5mm-Female
Material	Al
Finish	Chemical Conversion Coating, Gray Paint
Size(mm)	A Type: 137.2 x 137.2 x 265.2
	C Type: 137.2 x 137.2 x 305.2
Net Weight(Kg)	A Type: 2.06 Around
	C Type: 2.25 Around

Outline Drawing (Size: mm)

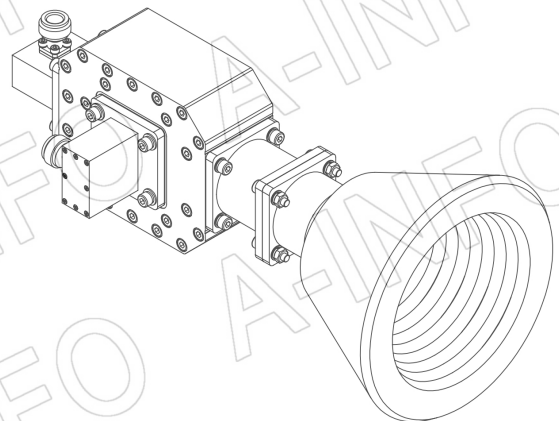
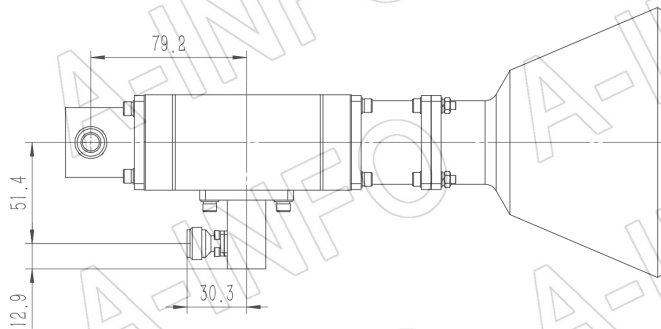
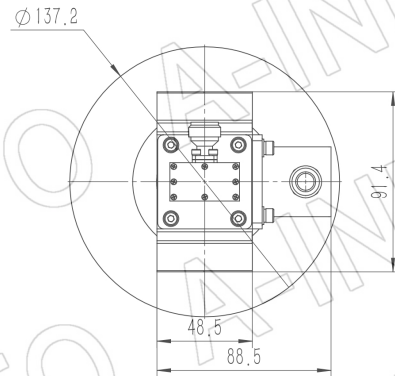
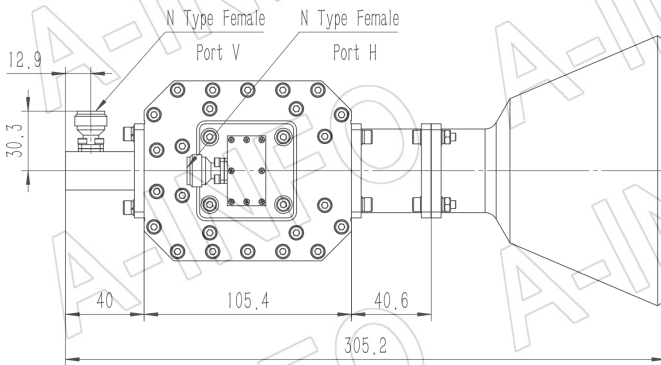
FBP84 Output (P/N: LB-CH-112-15-T02-A)

FBP84(UBR84)
Modified with 4xM4 Deep 6
Port V

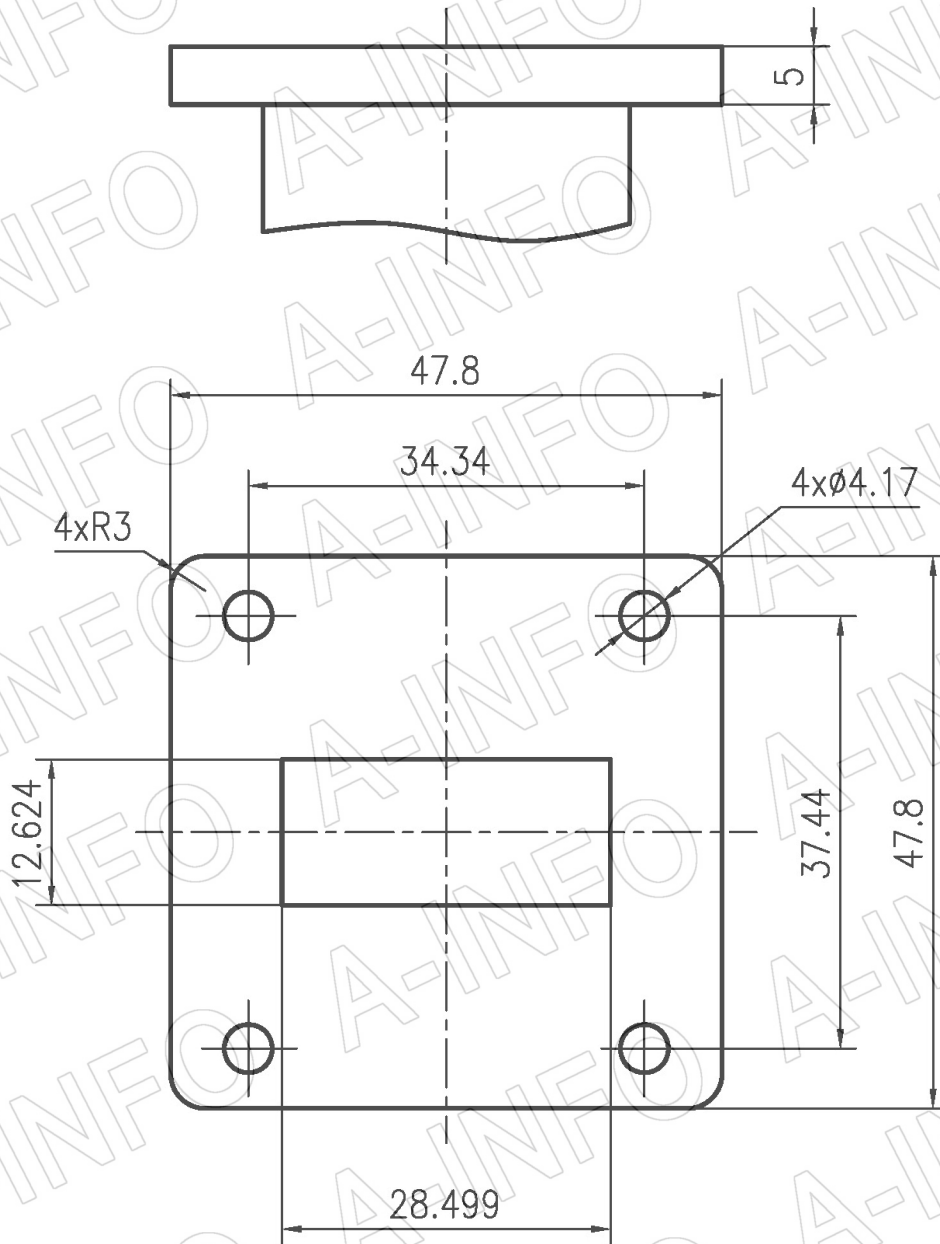


N-Female Output (P/N: LB-CH-112-15-T02-C-NF)

For SMA-Female, TNC- Female, 7mm or 3.5mm-Female output outline drawing, please contact A-INFO.



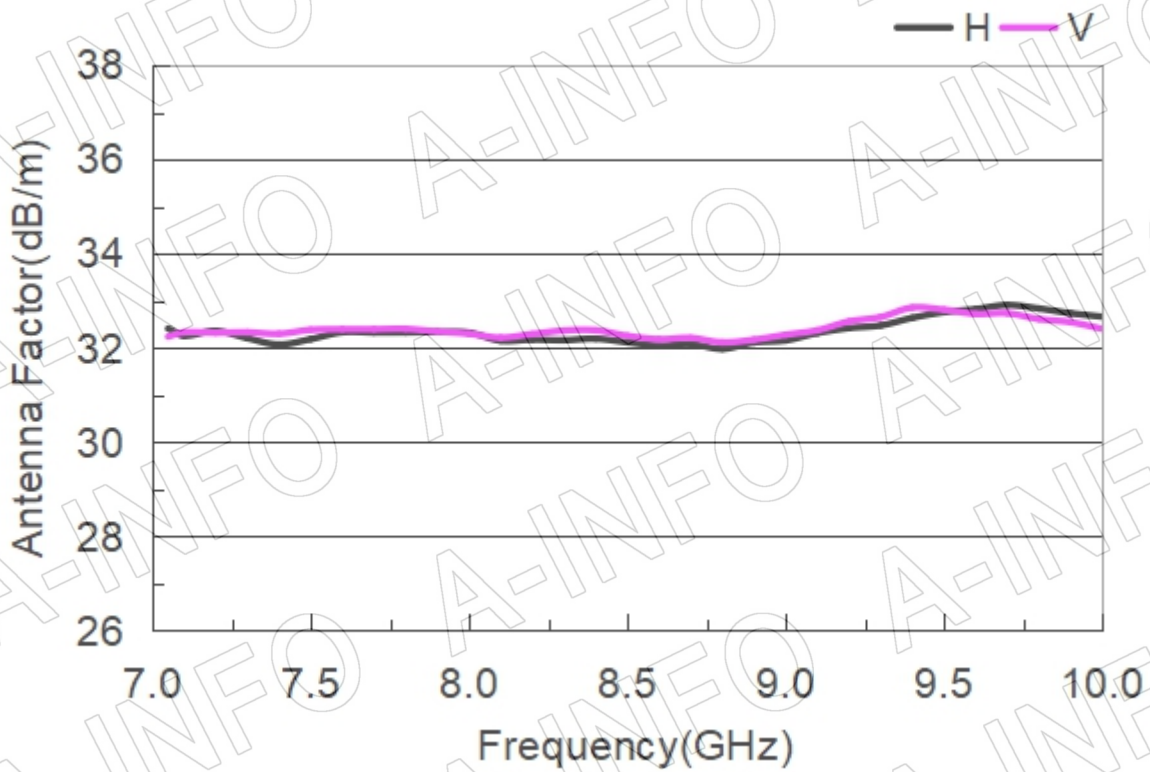
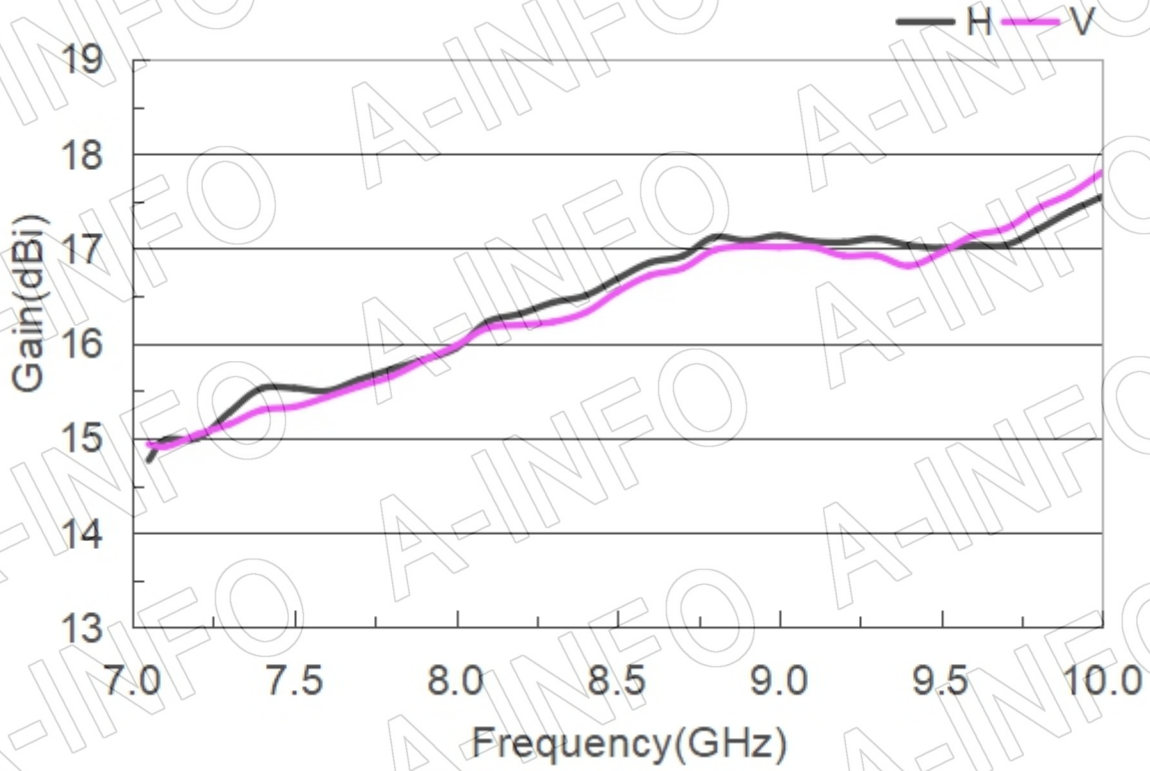
Flange Drawing (Size: mm)



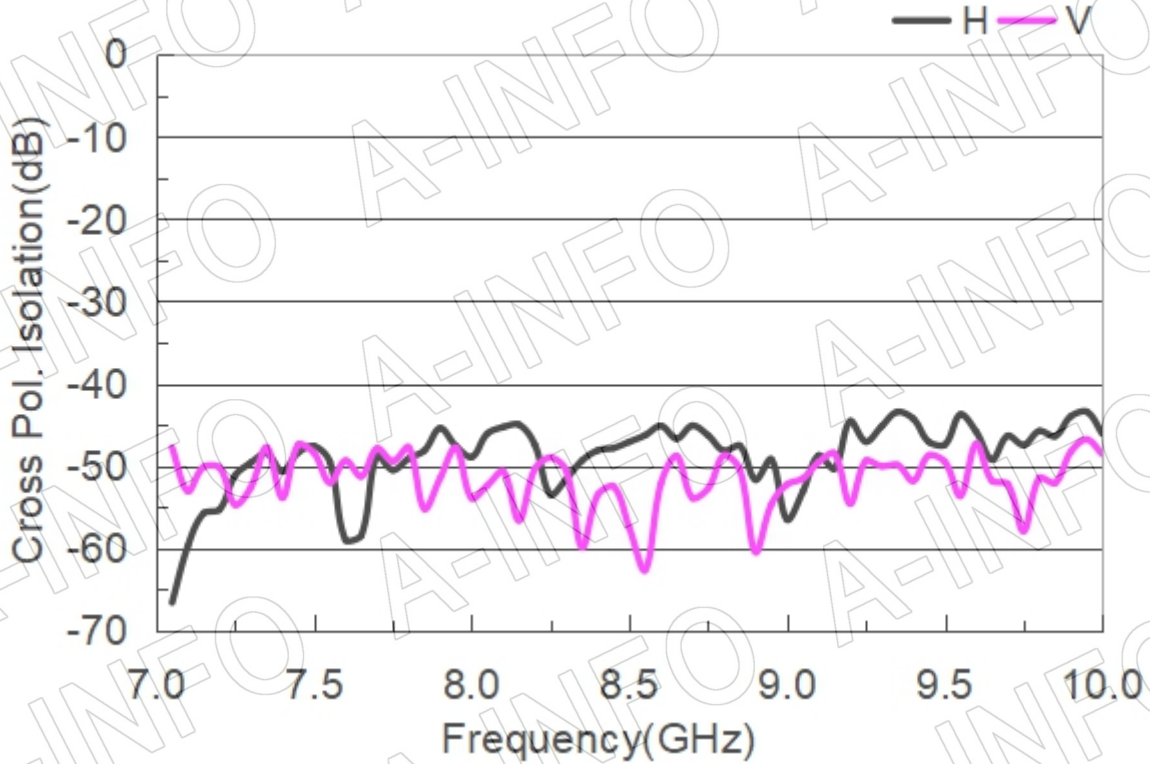
FBP84

Test Results

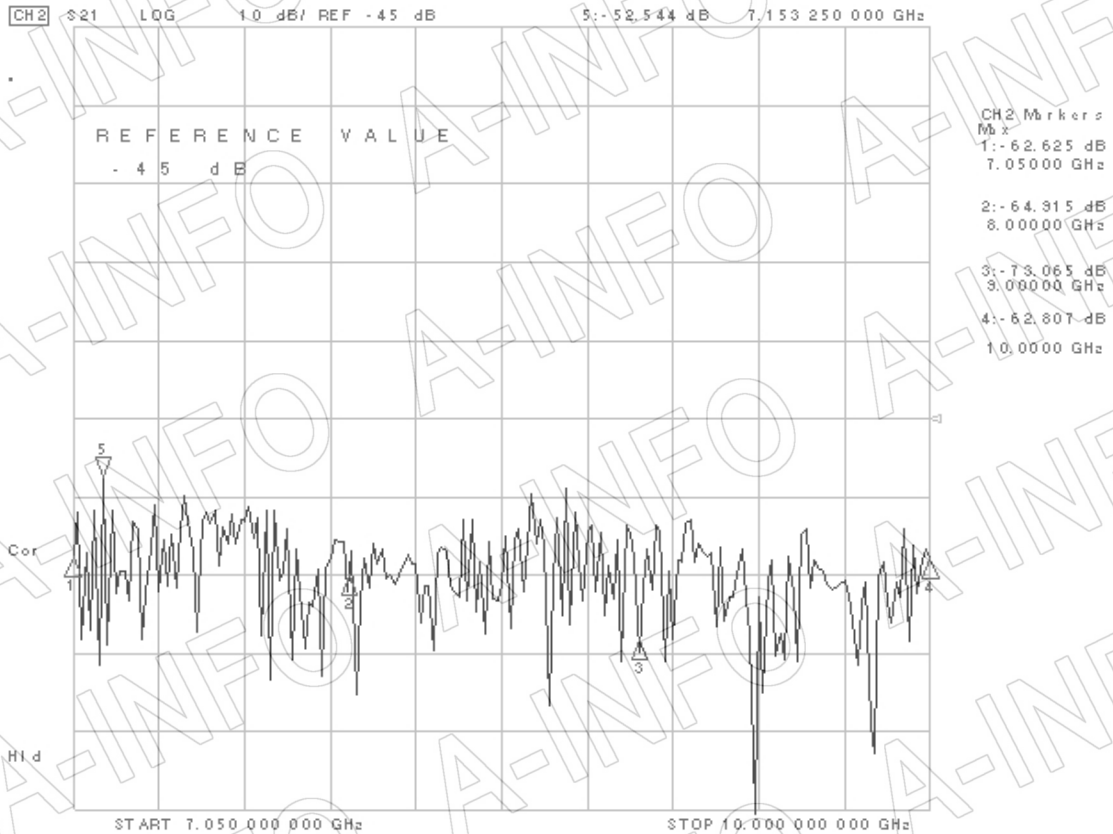
1. Gain & Antenna Factor



2. Cross Polarization Isolation

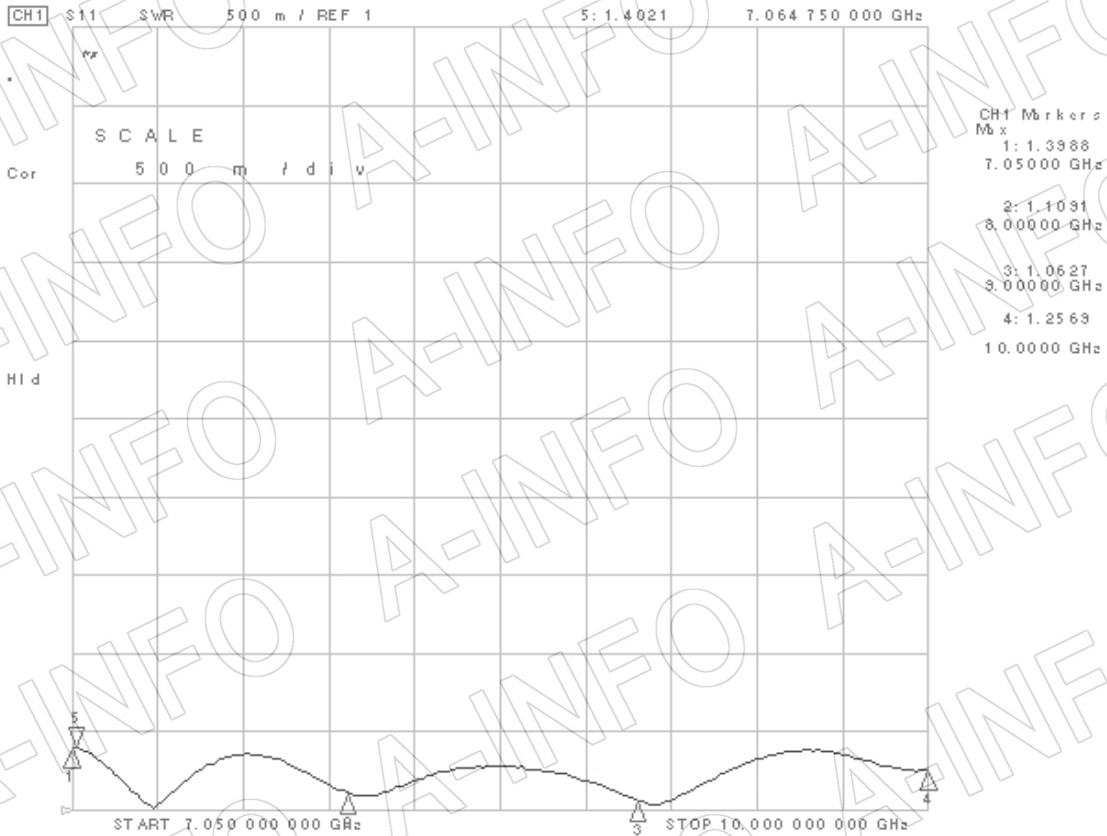


3. Port to Port Isolation

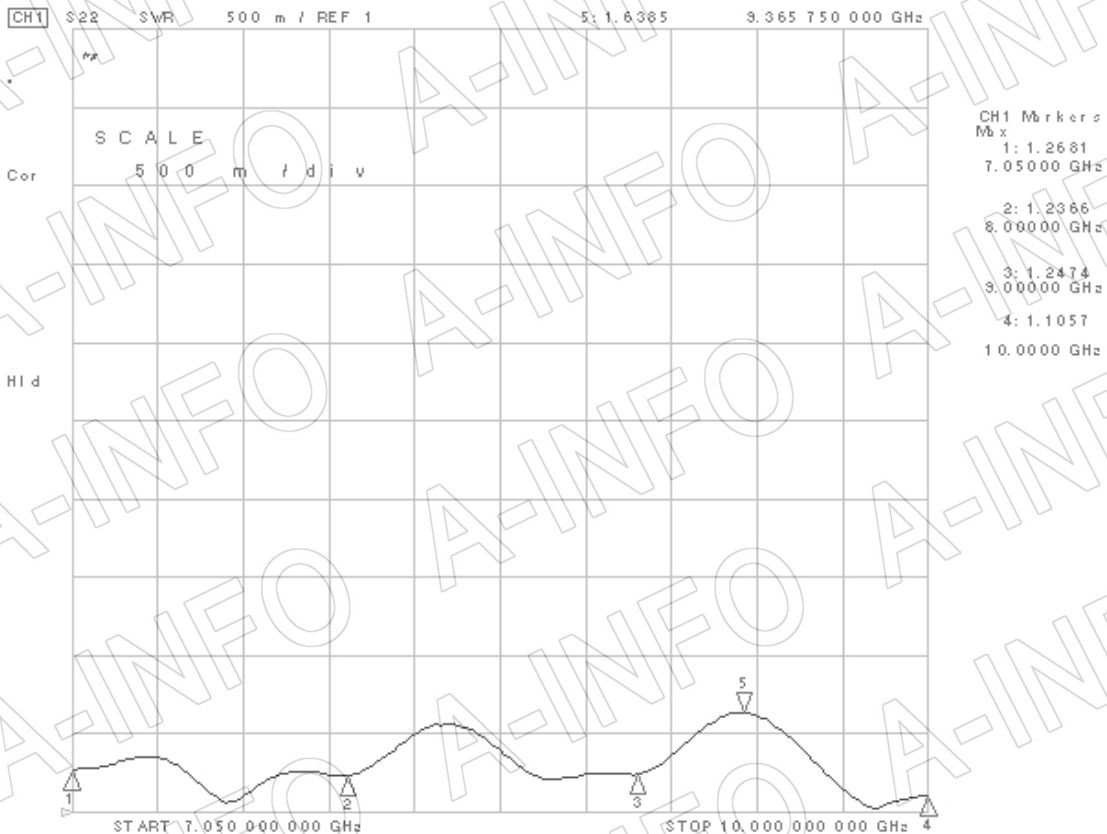


4. VSWR_A Type

Port-H



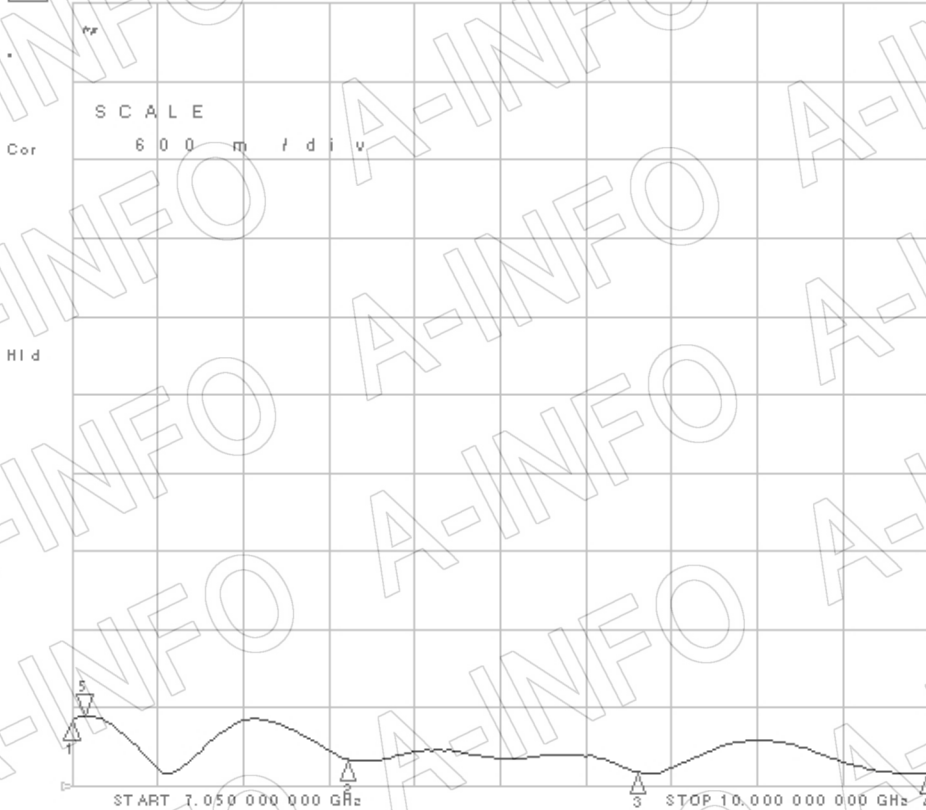
Port-V



VSWR_C Type

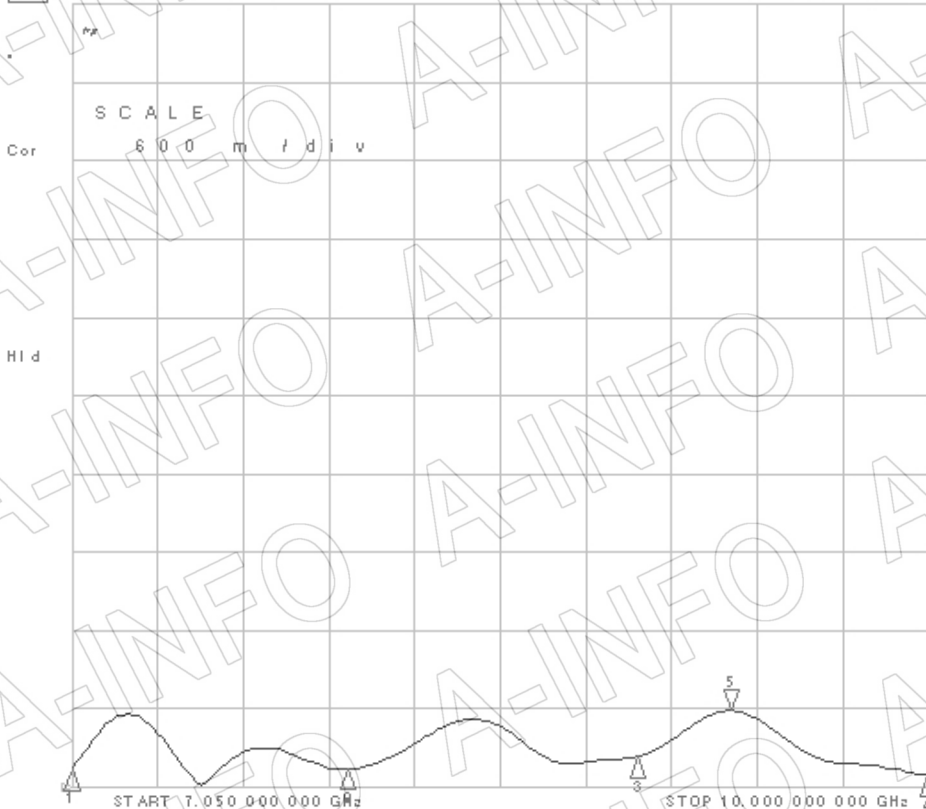
Port-H

CH1 S11 SWR 600 m / REF 1 5: 1.5414 7.034 250 000 GHz



Port-V

CH1 S22 SWR 600 m / REF 1 5: 1.5853 9.321 500 000 GHz



5. Pattern

